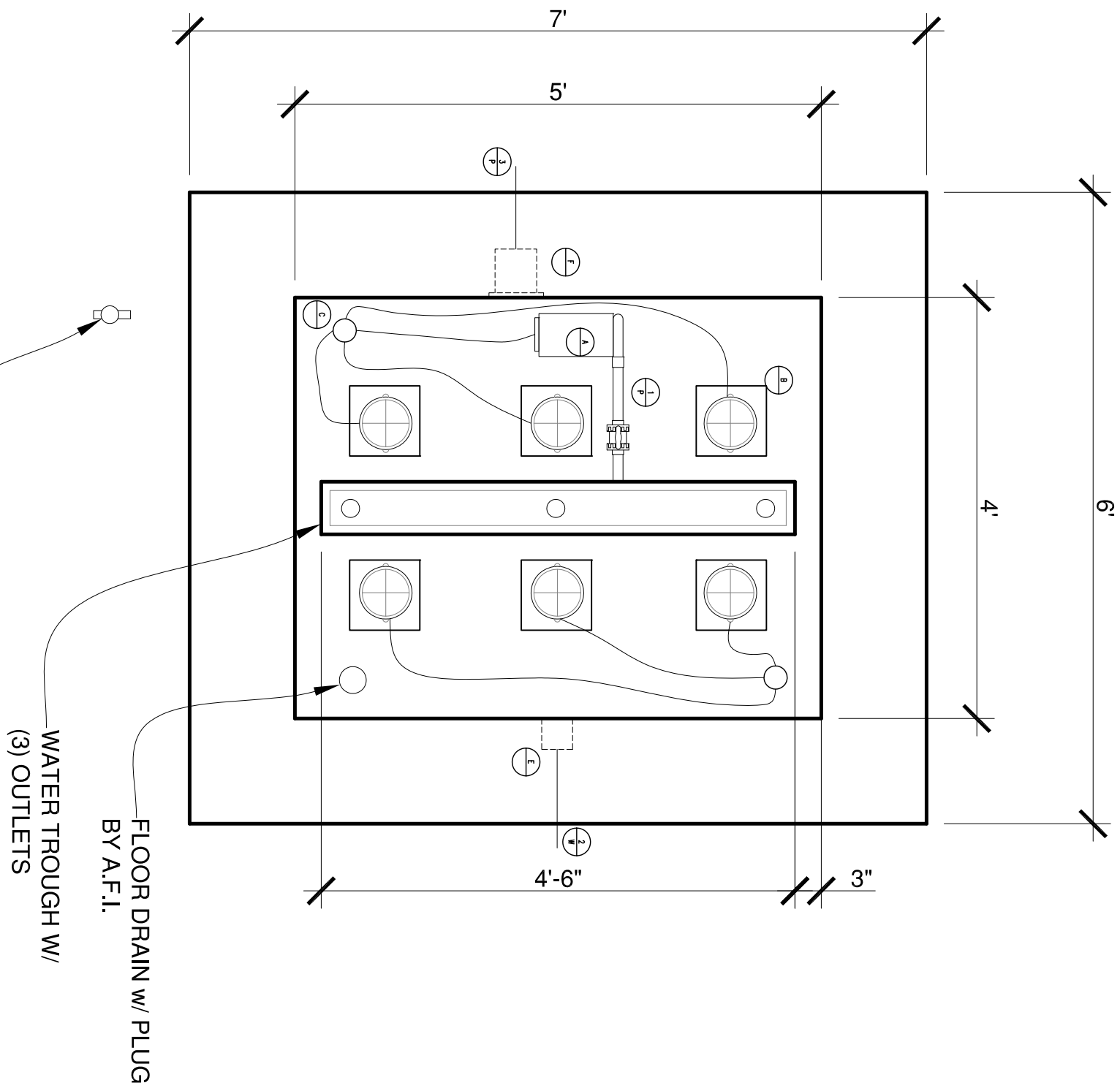
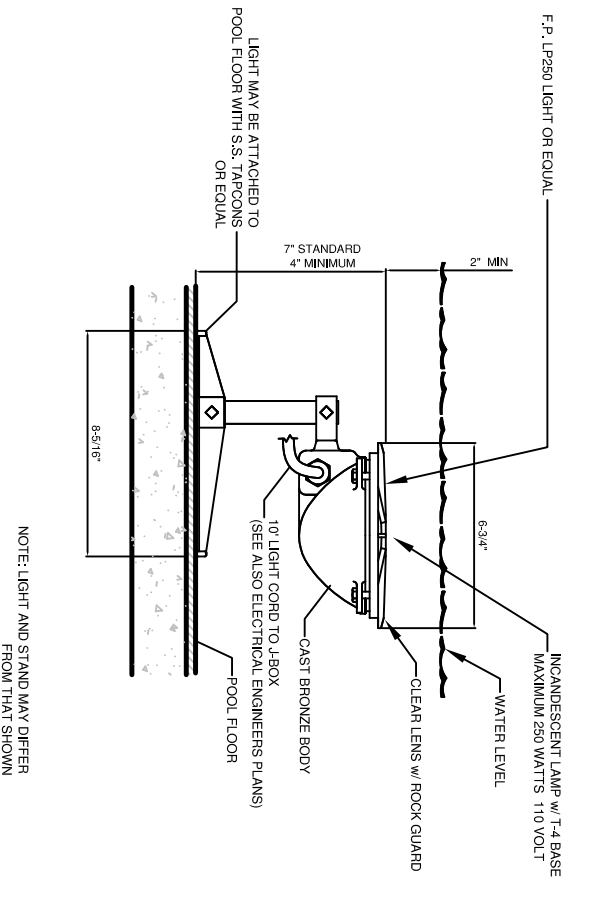


Waterwall Equipment & Piping Legend

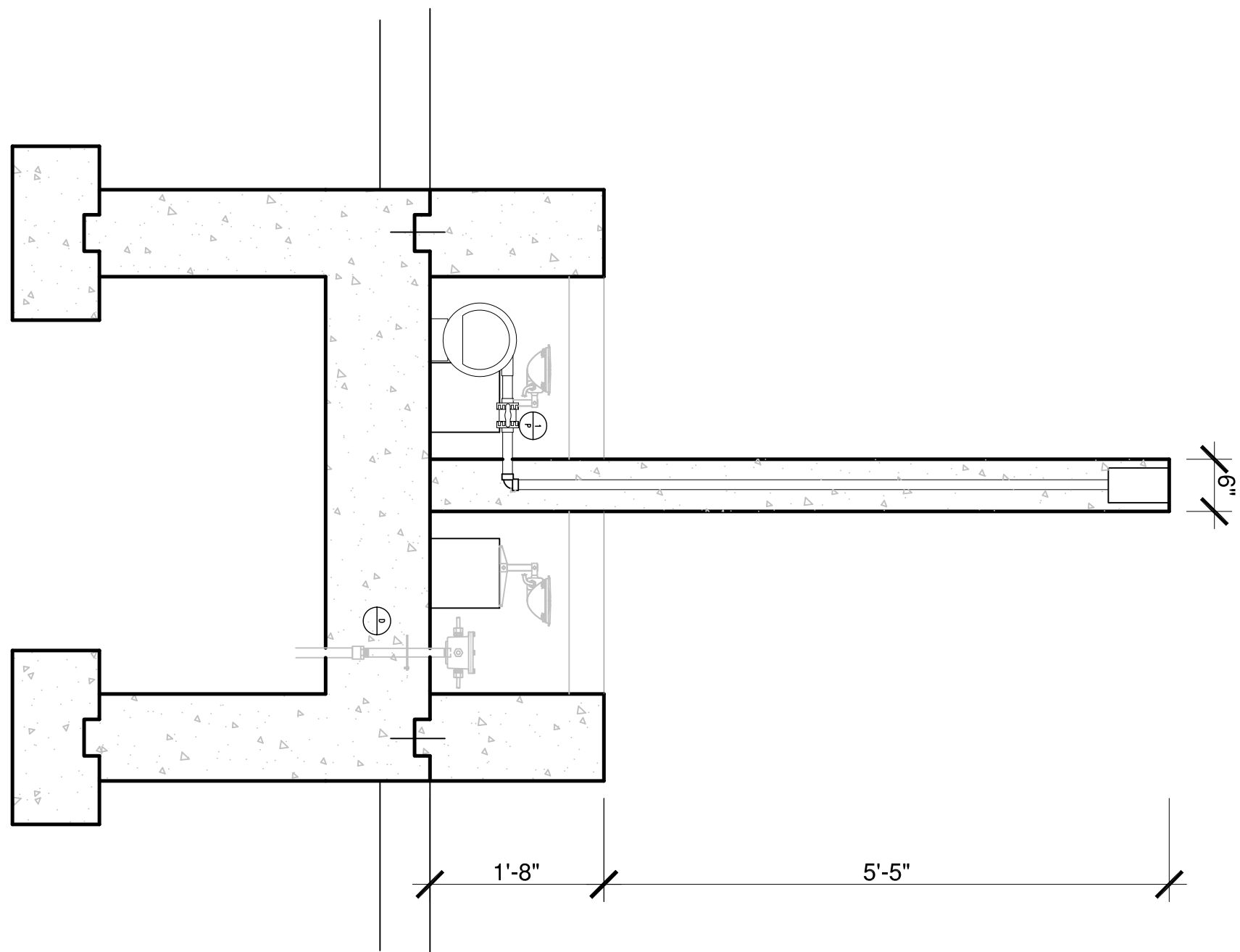
Symbol	Description	Size
⊕	BARNES 1/3 hp SUBMERSIBLE PUMP	2P536 w/ ANTI-VORTEX COVER
⊕	ELB-020 UNDERWATER LIGHT	6 REOD
⊕	EBL-204 UNDERWATER JUNCTION BOX	2 REOD
⊕	1" WATERSTOP	2 REOD
⊕	DOL-150 OVERFLOW	1 REOD
⊕	ACK-100 WATER LEVEL CONTROL	1 REOD
⊕	WATERWALL SUPPLY	1"
⊕	OVERFLOW/DRAIN TO SEWER (P-TRAP AS NEEDED)	2"
⊕	MUNICIPAL WATER (BACKFLOW PREV. BY OTHERS)	1"



WATERWALL PLAN VIEW
SCALE: 3/4" = 1'-0"



UNDERWATER LIGHT DETAIL
SCALE: N.T.S.



WATERWALL SECTION VIEW
SCALE: 3/4" = 1'-0"

CUSTOM DESIGN FOR:

**BELVEDERE PLAZA
ELK GROVE VILLAGE, IL**

AFI Aqua Fountains INTERNATIONAL[®]

TEL: (888) 935-8505 FAX: (815) 935-8500
aquafountains@sbcglobal.net

© 2006 AQUA FOUNTAINS INTERNATIONAL
THIS PLAN AND ALL COPIES ARE THE SOLE PROPERTY OF AQUA FOUNTAINS INTERNATIONAL AND ARE FOR USE ONLY ON THIS PROJECT. ANY OTHER USE IN WHOLE OR IN PART WILL RESULT IN DESIGN AND DRAFTING CHARGES.

DATE: 03/25/06
SCALE: AS NOTED
FILE #:
SUPERVISOR:
DRAWN BY: SJM